

Compact size with low vibration and noise.

# Traction Drive



**Roller type reducer equipped with in-house high precision miniature ball bearing.  
Low vibration and noise with high rotation by small energy loss.**



For more product information

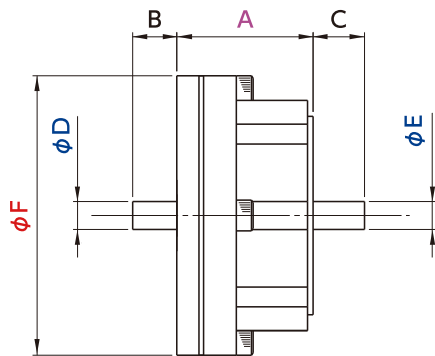
## Application

- Small type robot
- Drone
- Industrial Machine
- Medical Equipment
- Home Electric Appliances

## Characteristics

- Low noise
- Low vibration
- Rotation is even
- Low backlash
- Reduction Ratio 10:1 (One-stage speed reduction)

### Outer diameter

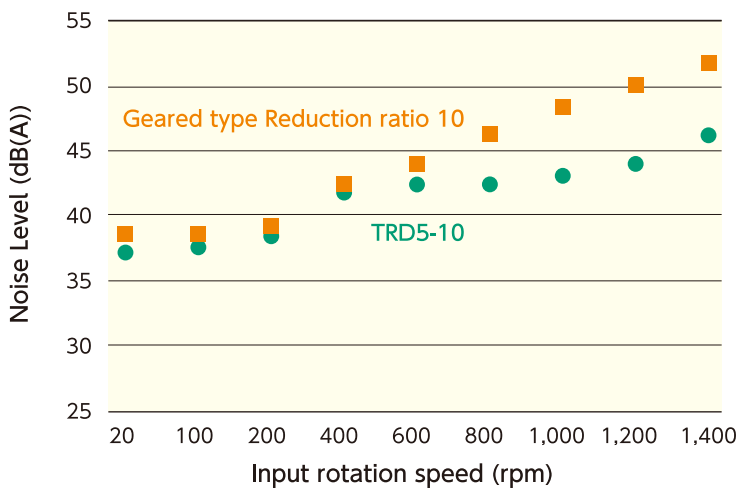


Unit : mm

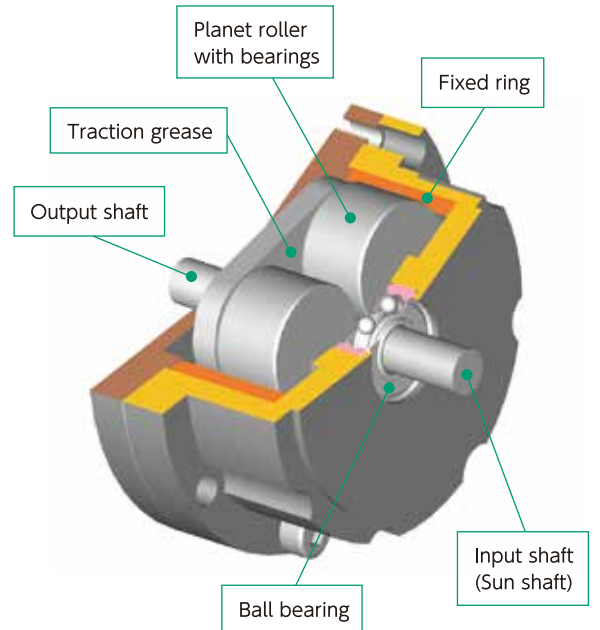
	TRD2-10	TRD5-10	TRD8-10
A	16.5	24.4	44.5
B	7	10	25
C	7	10	25
D	2	5	8
E	2	5	8
F	22	50	70
Output torque (N·m)	0.3	0.6	0.8
Maximum input rotation speed (rpm)	1,000	1,000	3,000

Dimensions may be changed for improvement without prior notice.

### Input rotation speed and noise level



Model : TRD5-10  
Result is for internal verification and is reference data only.



## NSK Micro Precision Co., LTD.

<http://www.nskmicro.co.jp/> For Any updates, please check our homepage.



**Head Office, Sales Division** 6F Hirose Bldg., 3-17 Kanda-nishiki cho, Chiyoda-ku, Tokyo 101-005  
TEL:03-5283-7420 FAX:03-5259-0882

**Osaka Sales Office** 5F OMM, 1-7-31 Otemae, Chuo-ku, Osaka, 540-6591  
TEL:06-6942-0858 FAX:06-6941-9113

**Matsumoto Sales Office** (In Matsukawa factory) 2953 Moto-oshima Matsukawa-machi,  
Shimo-Ina gun, Nagano Prefecture, 399-3303  
TEL:0265-48-6022 FAX:0265-48-6023

※Contents may be revised without prior notice.