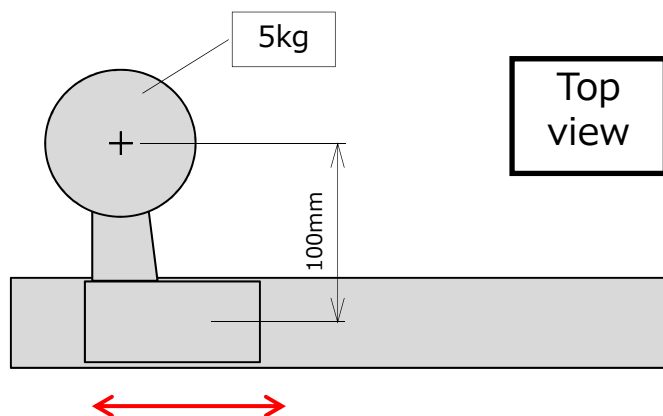


◇ Durability test with moment load and horizontal load UP

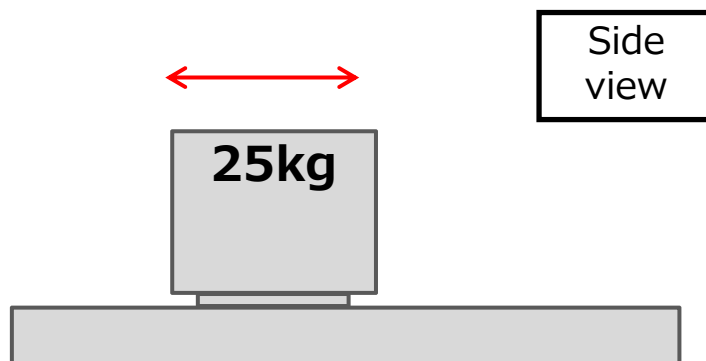
moment load (Horizontal conversion \approx 30kg)



Condition: Normal Temperature, average speed 590m/s, load 5kgf, stroke 400mm

Mileage	Slider looseness
0km	0.000mm
1,000km	0.001mm
2,000km	0.001mm
4,000km	0.001mm
6,000km	0.002mm

Horizontal load



Condition: Normal Temperature, average speed 200m/s, load 25kgf, stroke 300mm

Mileage	Slider looseness
0km	0.000mm
500km	0.000mm
1,000km	0.001mm
2,000km	0.002mm
3,500km	0.002mm