

# Ultra High Speed, Low Vibration Dental Bearing

ISC dental bearing performs exceptionally as the critical part for dental hand piece in which super high precision and ultra high speed rotation are required.



### Features

- 450,000min<sup>-1</sup> ~ up to 500,000min<sup>-1</sup>
- Higher anti-corrosion has been achieved with newly developed material (ES-1)
- Torlon cage sustains higher stability against autoclave.
- Available with ceramic balls

### Standard

(Unit:mm)

Bearing Number	Boundary Dimensions				
	d	D	B	D <sub>1</sub>	C
SR144X10Ah26T52YZS	3.175	6.350	2.779	-	-
SR144X12Ah26T52CZS	3.175	6.350	2.380	-	-
SFR144X10Ah26T52YZS	3.175	6.350	2.779	7.518	0.787
SFR144X12Ah26T52CZS	3.175	6.350	2.380	7.518	0.584

### Customized

Bearing Number	Boundary Dimensions				
	d	D	B	D <sub>1</sub>	C
SFR144X010Ah26T52YZS	3.175	6.350	2.779	7.518	0.450
SR144X11h26T52CZS	3.175	6.350	2.779	-	-

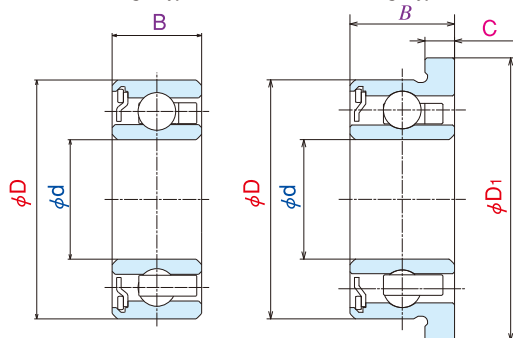
\*Please consult with ISC for special dimensions and materials



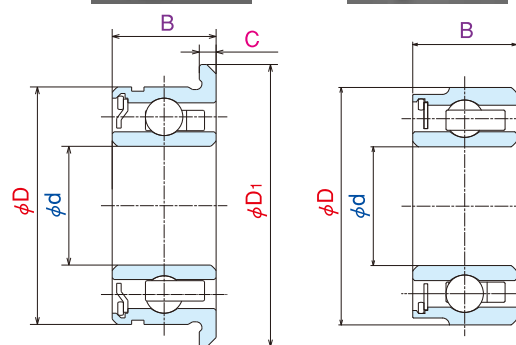
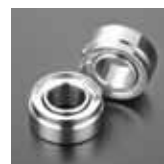
Straight Type



Flange Type



Standard Types



Customized Types

## NSK Micro Precision Co., Ltd.

<http://www.nskmicro.co.jp/english> (Please visit our English site for details)

**Head office/Sales Division Headquarters**  
No.1202, Nippon Building, 2-6-2 Otemachi, Chiyoda-ku, Tokyo 100-0004 Japan  
Tel: +81-3-3270-2431 Fax: +81-3-3245-1372

**Osaka Sales Office**  
301 Wakita-Tenmabashi Building, 2-13, Tenmabashi-Kyomachi, Chuo-ku, Osaka-shi, Osaka 540-0032 Japan  
Tel: +81-6-6942-0858 Fax: +81-6-6941-9113

**Matsumoto Sales Office**  
2953 Moto-oshima, Matsukawa-cho, Shimoina-gun, Nagano 399-3303 Japan  
Tel: +81-265-48-6022 Fax: +81-265-48-6023

※Contents may be revised without prior notice.